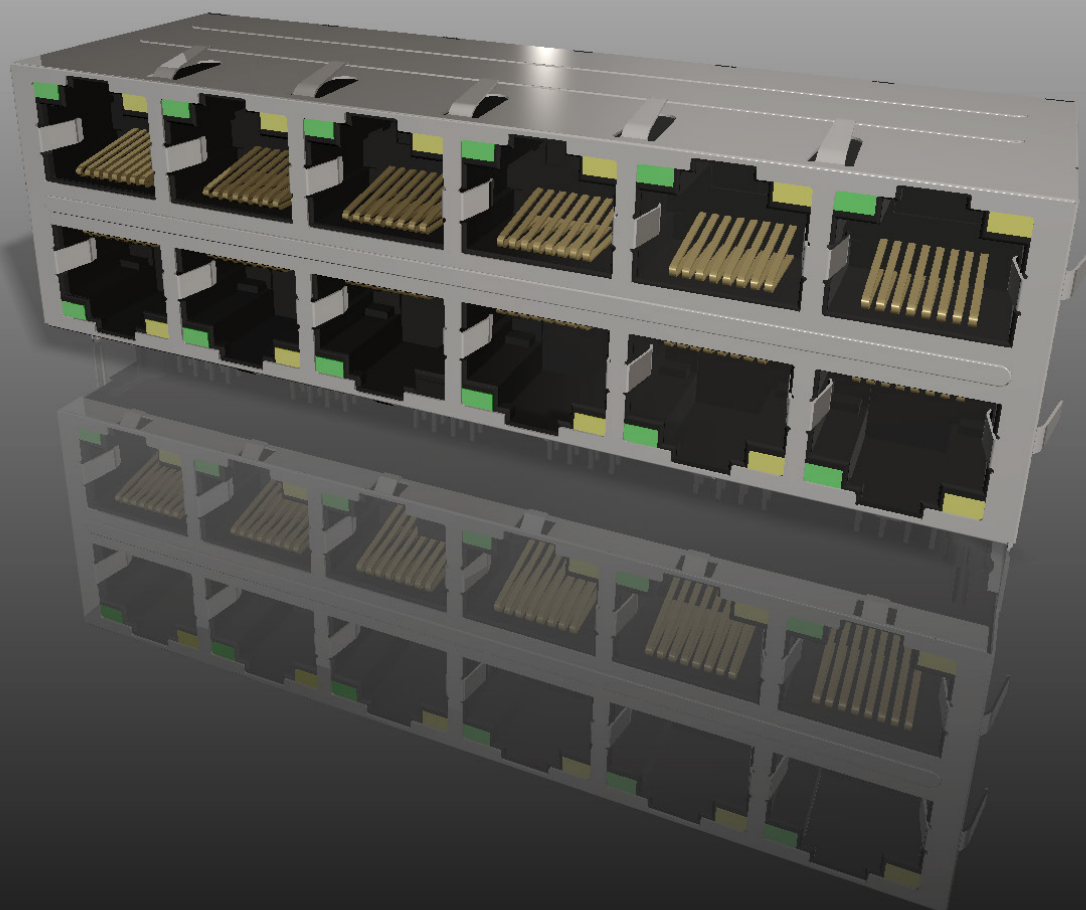


# MMI

RJ45 Magnetics  
RJ45 變壓器模組



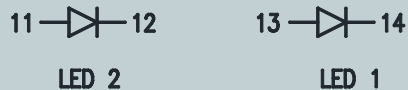
## SPECIFICATIONS

TRANSFER RATE	PART NUMBER	PORT	ELECTRICAL SPECIFICATIONS@25°C
10/100 BASE-T	MJKf711300-Pa80GftSb-2S-L_	2x1	TURN RATIO(±5%): 1CT:1CT INDUCTANCE(@100KHZ/0.1V/8mA): 350uH MIN. INSERTION LOSS(dB MAX): -1.0dB(1~100MHz) RETURN LOSS(dB MIN): -18dB(1~30MHz), -16dB(30~60MHz), -12dB(60~80MHz), -10dB(80~100MHz) CROSS TALK (dB MIN): -30dB(1~100MHz) CMR(dB MIN): -30dB(1~100MHz) HI-POT(PRI TO SEC): 1500Vrms OPERATING TEMPERATURE: -0°C TO +70°C
	MJKf7420021-Pa80GftSb-8S-L_	2x4	
	MJKf762002-Pa80GftSb-12S-L_	2x6	
	MJKf782002-Pa80GftSb-16S-L_	2x8	
100/1000 BASE-T	MJKf7113041-Pa80GftSb-2S-L_	2x1	TURN RATIO(±5%): 1CT:1 INDUCTANCE(100KHz/0.1V@8mA): 350uH MIN. INSERTION LOSS(dB MAX): -1.2dB(1~125MHz) RETURN LOSS(dB MIN): -18dB(1~30MHz), -16dB(30~60MHz), -12dB(60~80MHz), -10dB(80~100MHz) CROSS TALK(dB MIN): -30dB(1~100MHz) CMR(dB MIN): -30dB(1~100MHz) HI-POT(Pri to Sec): 1500Vrms OPERATING TEMPERATURE: 0°C~+70°C
	MJKf744015-Pa80GftSb-8S-L_	2x4	
	MJKf764008-Pa80GftSb-12S-L_	2x6	
	MJKf784008-Pa80GftSb-16S-L_	2x8	

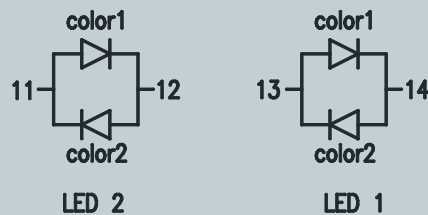
## LED OPTION

LED CODE	LED 2		LED 1	
L1	YELLOW	+▶-	GREEN	+▶-
L2	GREEN	+▶-	GREEN	+▶-
L3	GREEN	+▶-	YELLOW	+▶-
L5	GREEN	+▶-	RED	+▶-
L6	BI-COLOUR GREEN/YELLOW	+▶-	YELLOW	+▶-
L7	YELLOW	+▶-	YELLOW	+▶-
L8	BI-COLOUR GREEN/YELLOW	+▶-	BI-COLOUR GREEN/YELLOW	+▶-
L9	YELLOW	+▶-	BI-COLOUR GREEN/ORANGE	+▶-
L10	BI-COLOUR ORANGE/GREEN	+▶-	YELLOW	+▶-
L11	BI-COLOUR GREEN/YELLOW	+▶-	GREEN	+▶-
L12	GREEN	+▶-	BI-COLOUR GREEN/YELLOW	+▶-

### LED CONFIGURATION: SINGLE COLOR

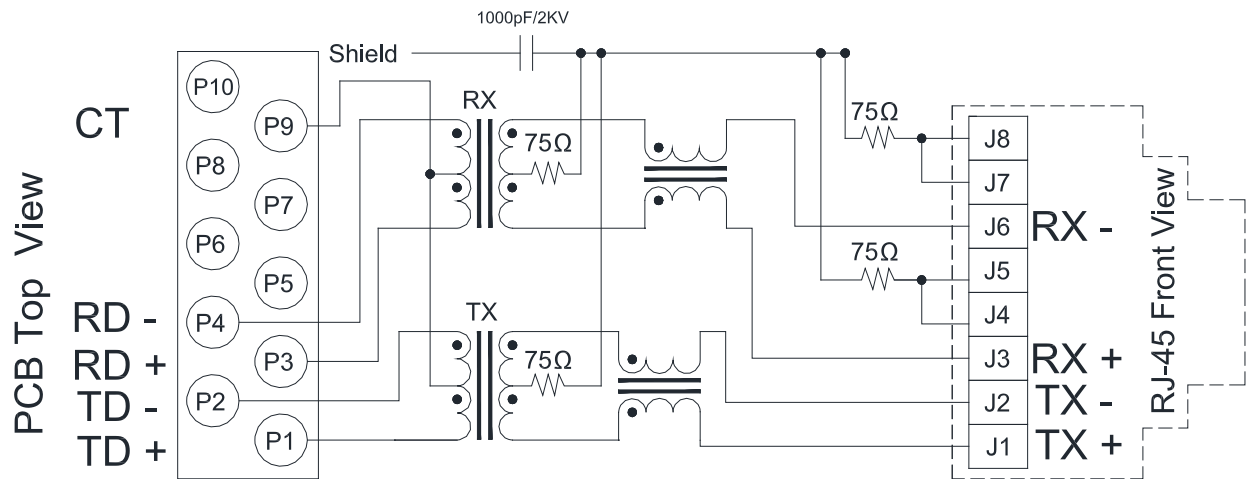


### Bi-COLOR (color1/color2)

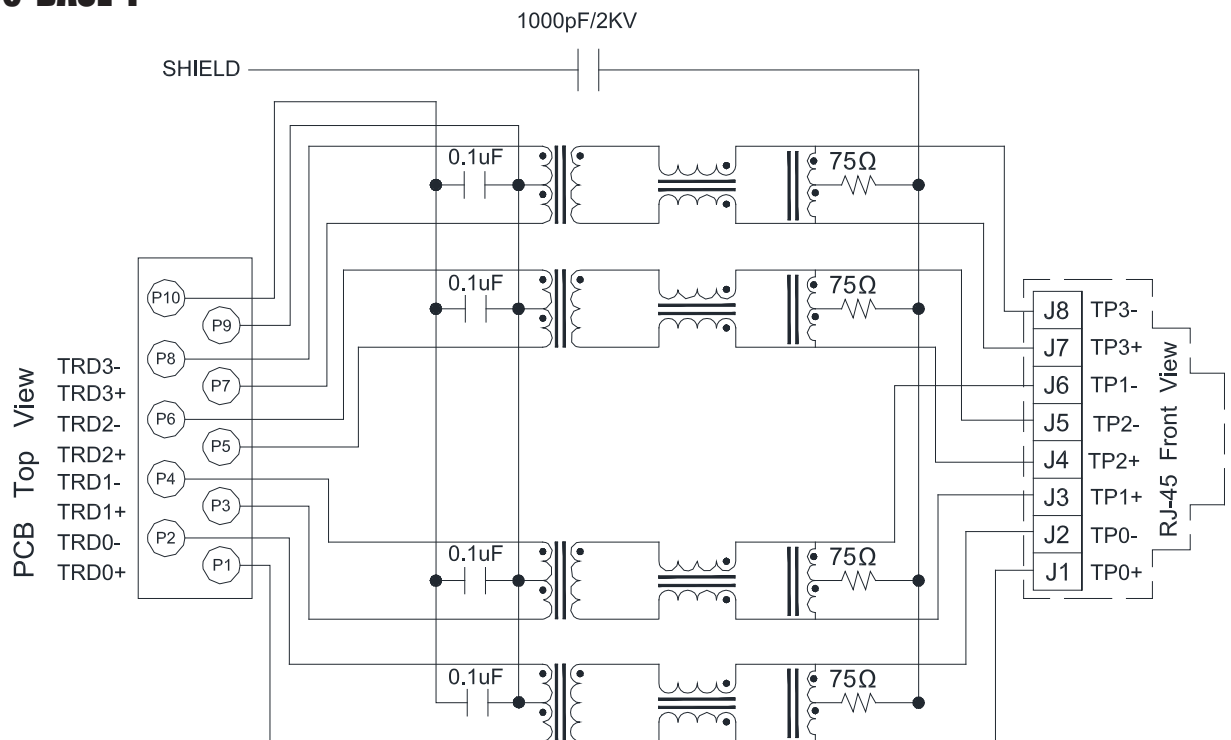


### SCHMATICS

#### 10/100 BASE-T

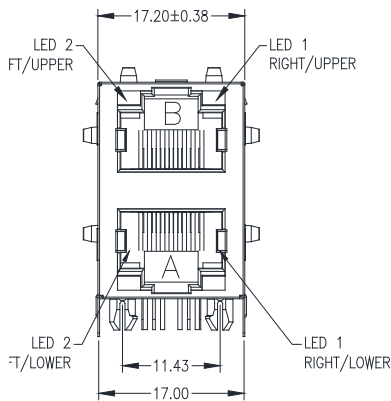


#### 100/1000 BASE-T

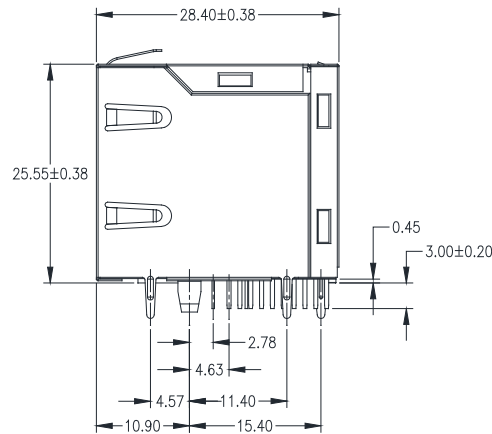


### DIMENSION

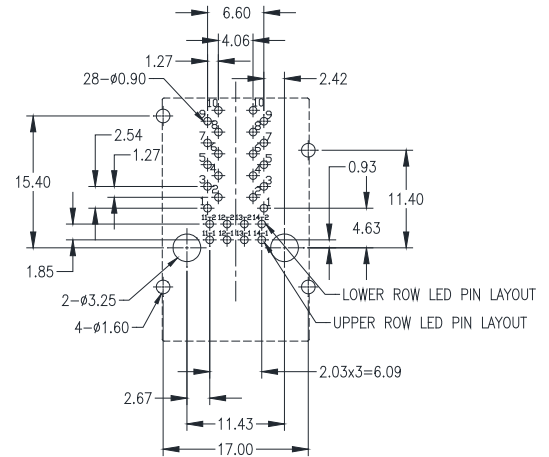
#### RJ45 2x1 JACK



FRONT VIEW

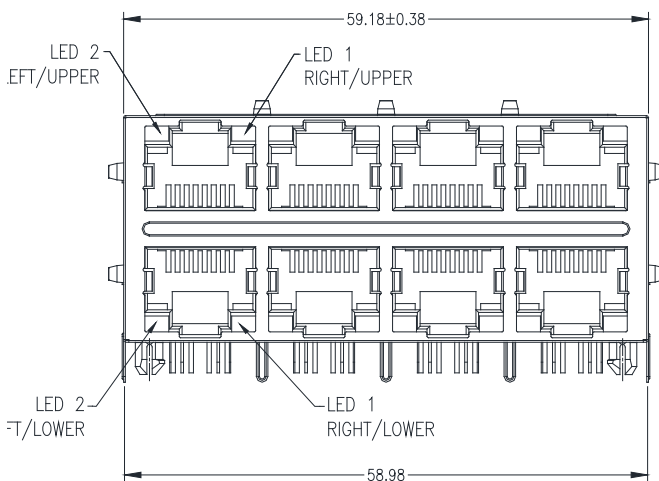


SIDE VIEW

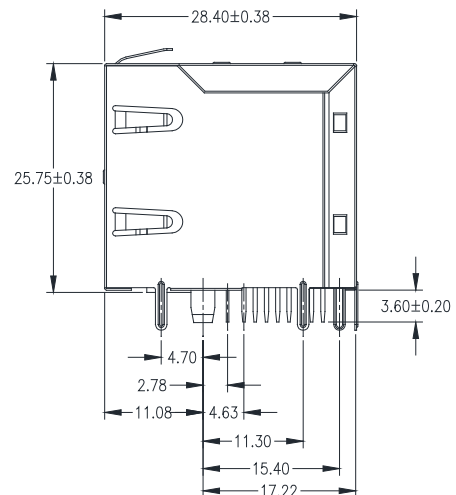


PCB LAYOUT

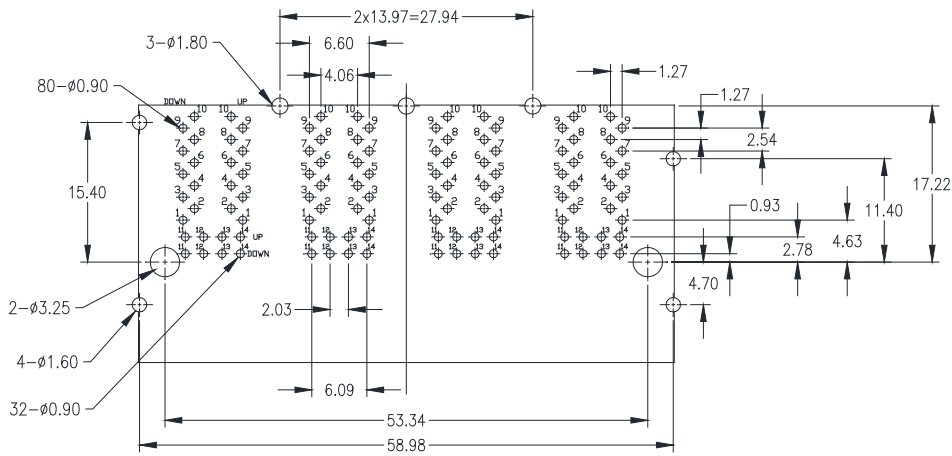
#### RJ45 2x4 JACK



FRONT VIEW

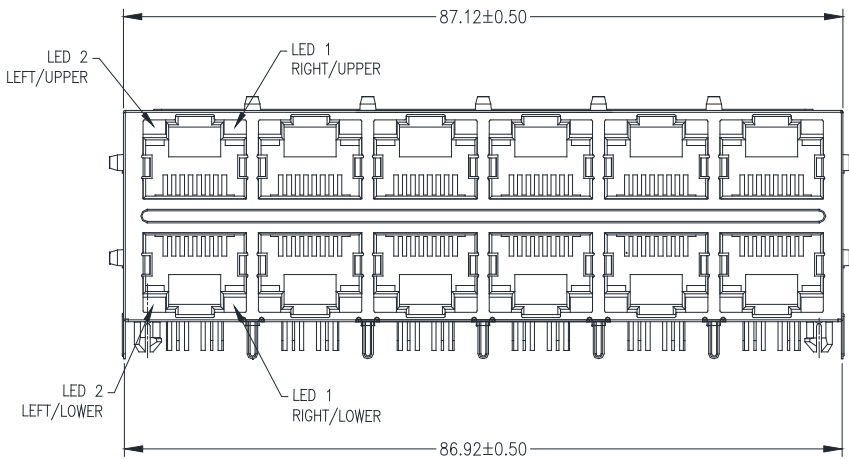


SIDE VIEW

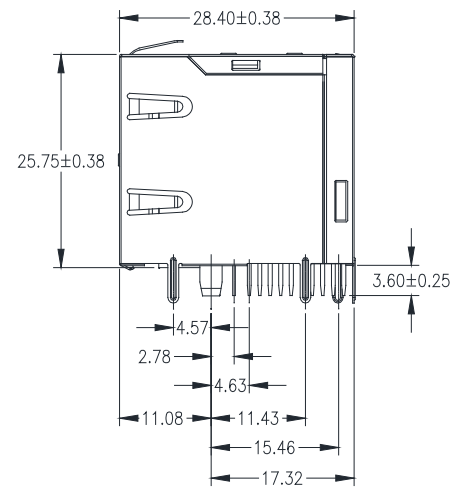


**PCB LAYOUT**

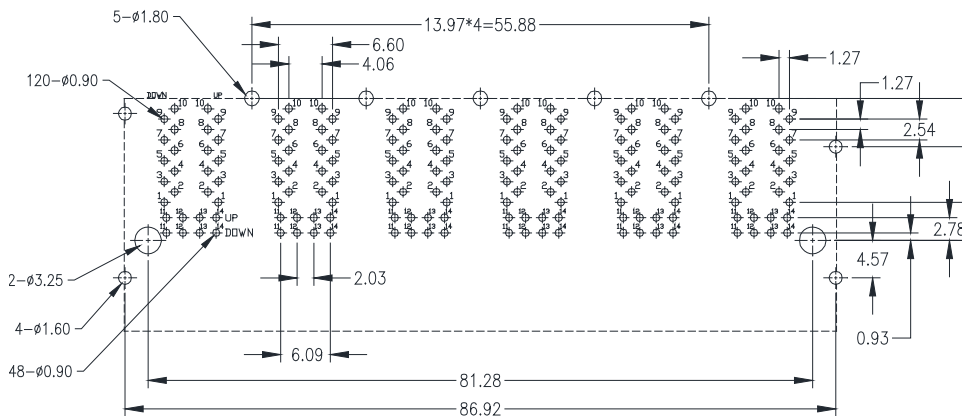
### RJ45 2x6 JACK



**FRONT VIEW**

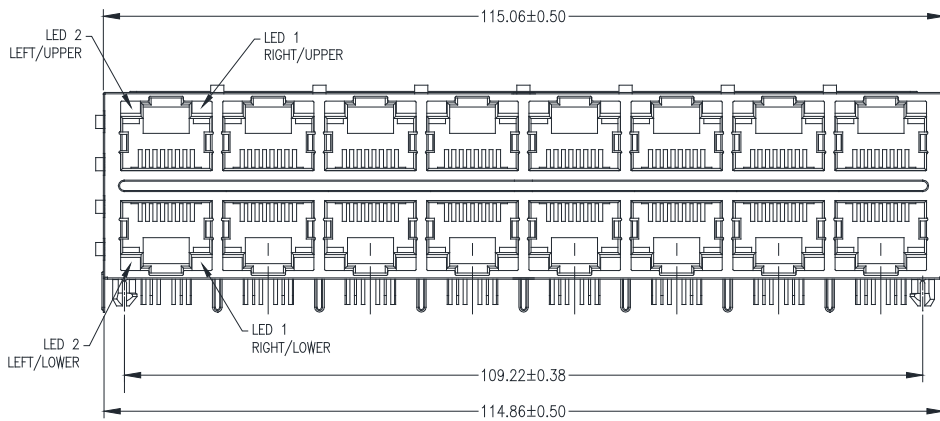


**SIDE VIEW**

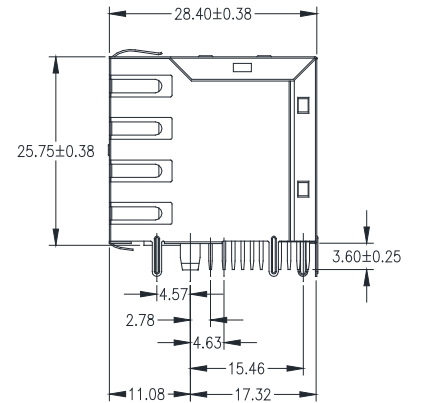


**PCB LAYOUT**

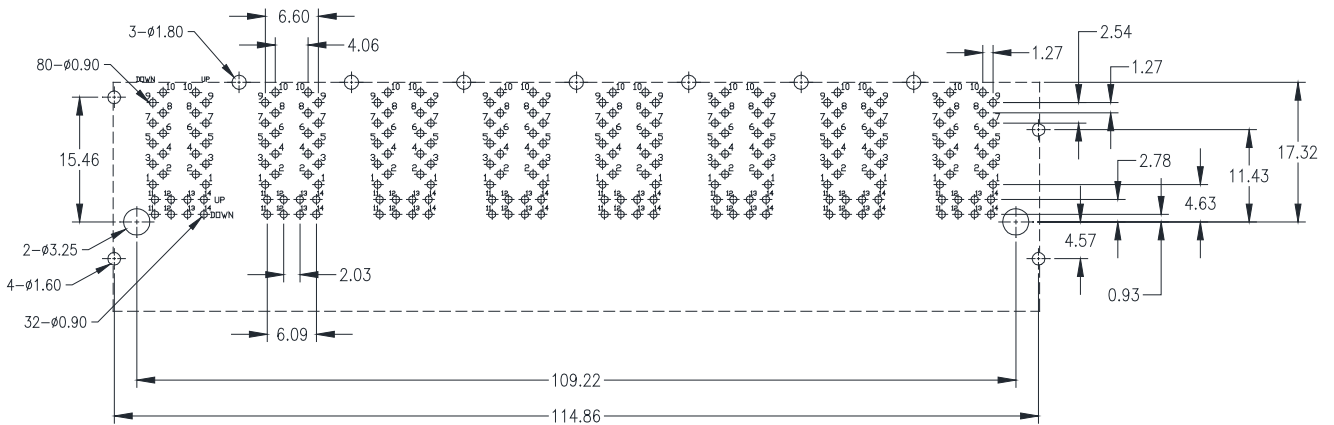
### RJ45 2x8 JACK



**FRONT VIEW**



**SIDE VIEW**



**PCB LAYOUT**