

MMI

**FILTER
(100/1000 BASE)**

FEATURES

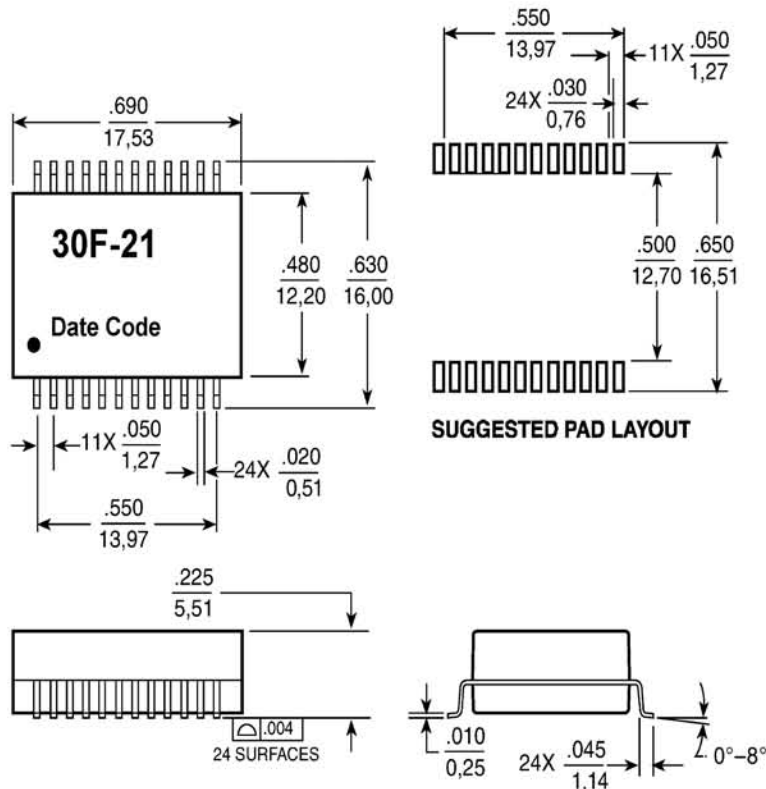
- Designed for long haul Gigabit Ethernet 100/1000 Base-T, full duplex applications
- Supports 4 pairs of category 5 UTP cable
- Cable interface for isolation and low common mode emissions
- Compliant with IEEE 802.3ab standard for 1000 Base-T



ELECTRICAL SPECIFICATIONS @25°C-Operating temperature 0°C TO 70°C

Part Number	Insertion Loss (dB max)	Return Loss (dB min @100 Ω)					Differential to Common Mode (dB min)			Crosstalk (dB TYP)			Hipot (V _{rms} min)
		1- 100 MHz	1- 30 MHz	40 MHz	50 MHz	60-80 MHz	100 MHz	30 MHz	60 MHz	100 MHz	30 MHz	60 MHz	
30F-21	-1.0	-18	-14.4	-13.1	-12	-10	-43	-37	-33	-45	-40	-35	1500
30F-22	-1.0	-18	-14.4	-13.1	-12	-10	-43	-37	-33	-45	-40	-35	1500
30F-25	-1.0	-16	-14.5	-14.5	-12	-10	-42	-37	-33	-40	-40	-35	1500
30F-26	-1.0	-18	-14.4	-13.1	-12	-10	-42	-37	-33	-40	-40	-35	1500

MARKINGS AND DIMENSION

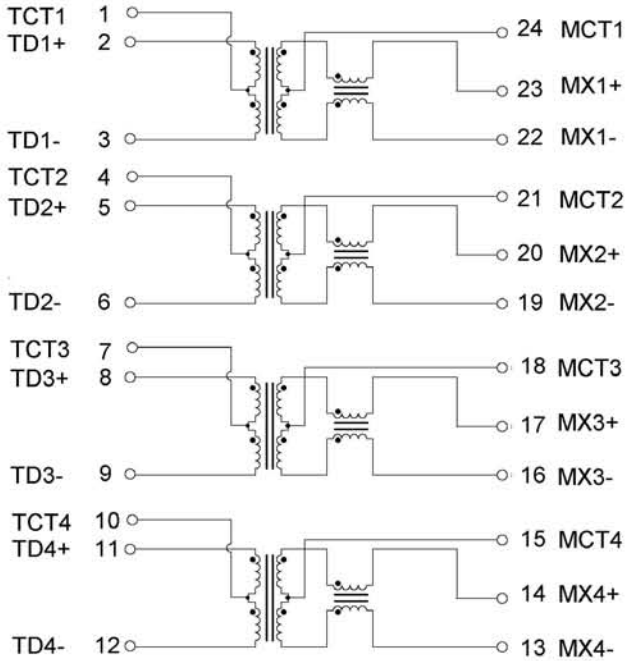


Dimensions: $\frac{\text{Inches}}{\text{mm}}$

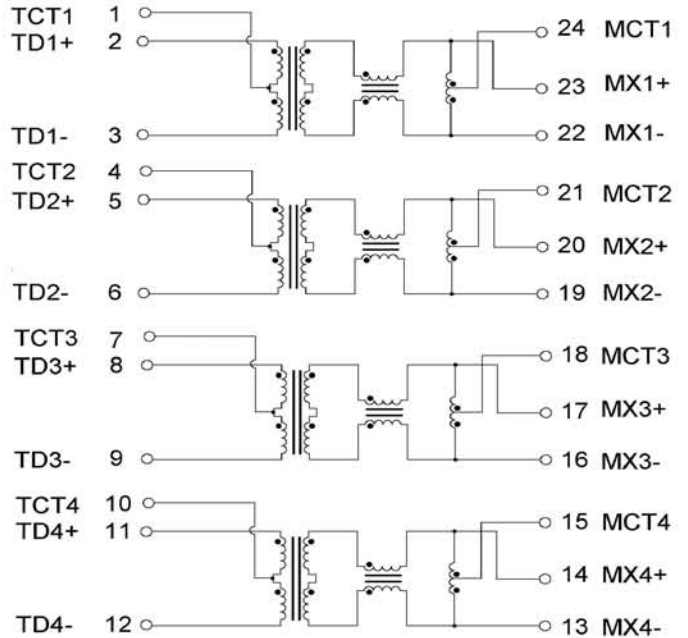
Unless otherwise specified all tolerances are $\pm \frac{.010}{0.25}$

SCHEMATIC

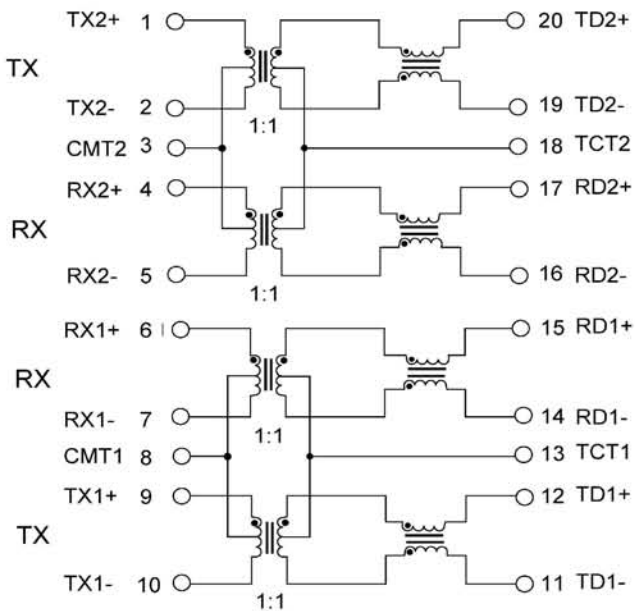
30F-21



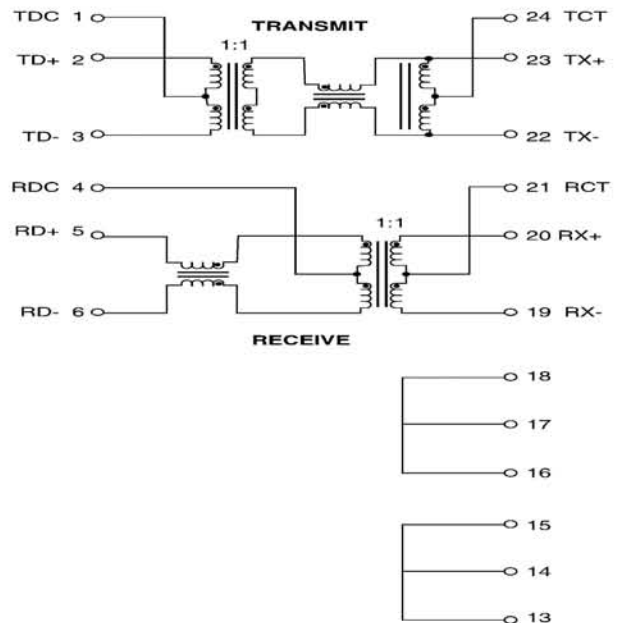
30F-22



30F-25



30F-26



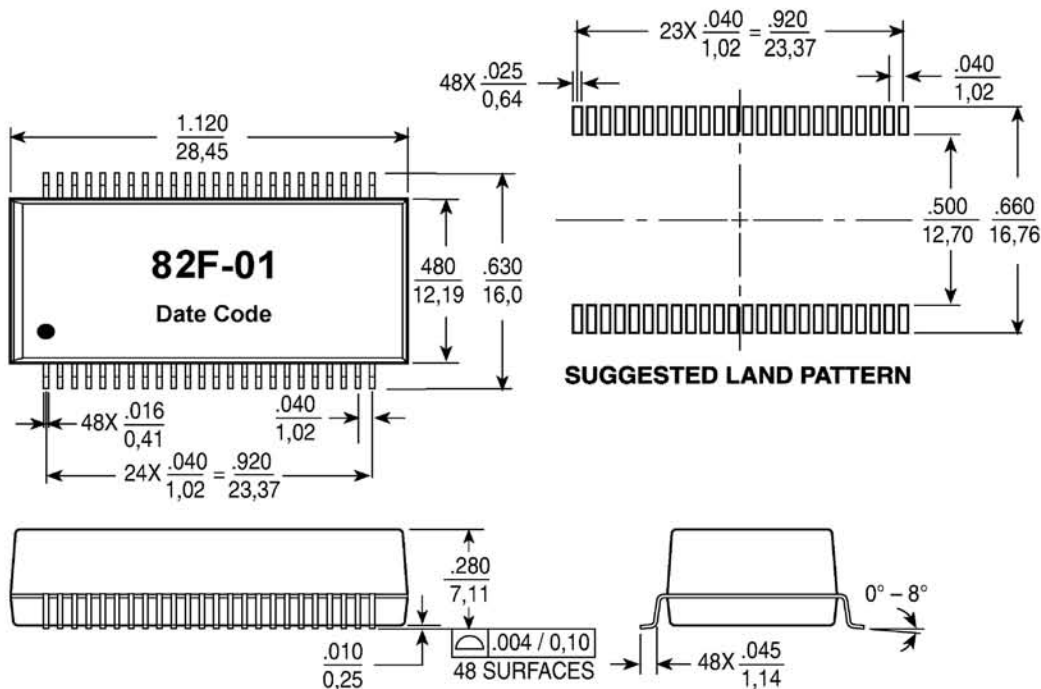
FEATURES

- Designed for Ethernet 10/100/1000BASE-T applications
- Supports 4 pairs of category 5 UTP cable
- Cable interface for isolation and low common mode emissions
- Compliant with IEEE 802.3ab standard for 1000BASE-T



ELECTRICAL SPECIFICATIONS @25°C -Operating temperature 0°C TO 70°C													
Part Number	Insertion Loss (dB MAX)	Return Loss (dB MIN @100Ω)					Differential to Common Mode Rejection (dB TYP)			Crosstalk (dB TYP)			Hipot (Vrms) @60Hz
		1-100 MHz	1-30 MHz	40 MHz	50 MHz	60-80 MHz	100 MHz	30 MHz	60 MHz	100 MHz	30 MHz	60 MHz	
82F-01	-1.4	-16	-14.4	-13.1	-12	-10	-45	-40	-35	-43.5	-37.5	-33	1500
82F-02	-1.4	-16	-14.4	-13.1	-12	-10	-45	-40	-35	-43.5	-37.5	-33	1500

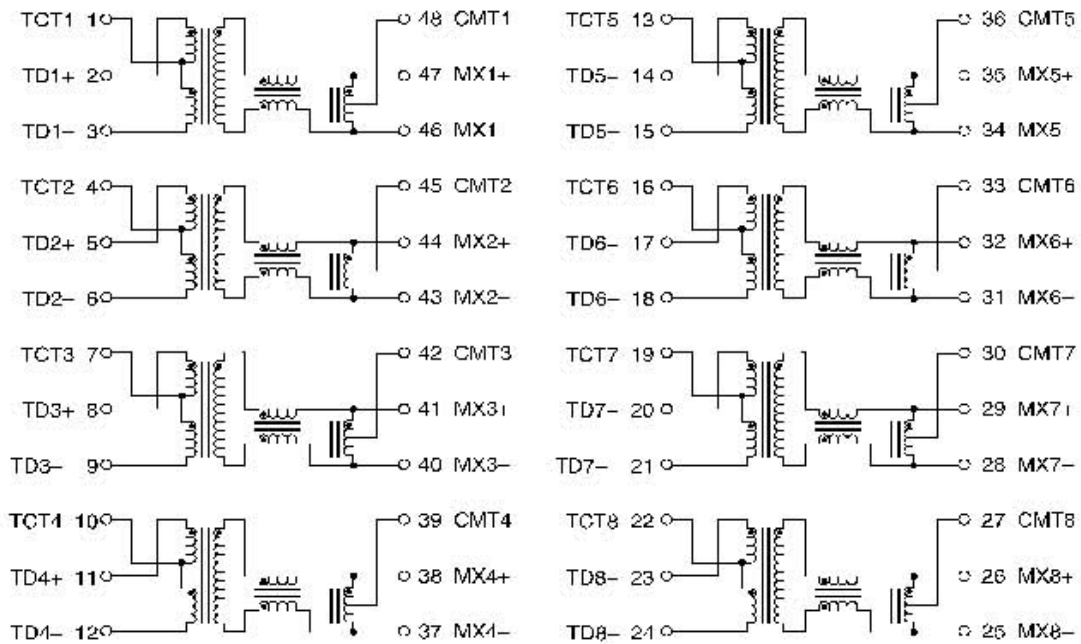
Mechanicals



Dimensions: $\frac{\text{Inches}}{\text{mm}}$ Unless otherwise specified, all tolerances are $\pm \frac{.010}{0,25}$

Schematics

01



02

