

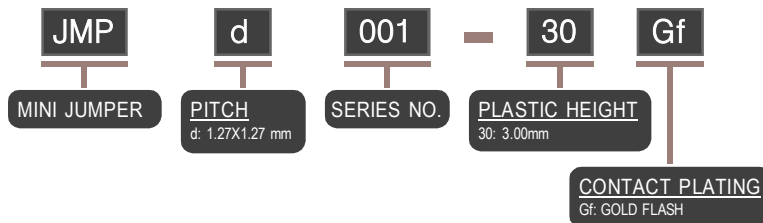
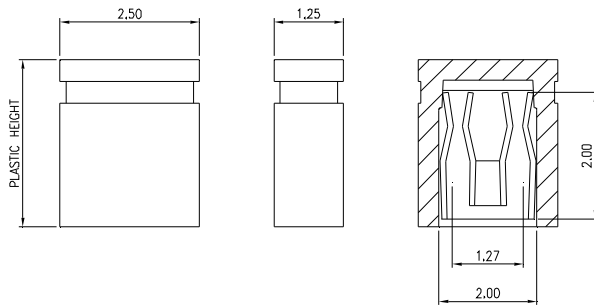
**MMI**

---

**JUMPER**  
**PITCH: 1.27X1.27mm**

---

## MINI JUMPER - 1.27X1.27mm - JMPd



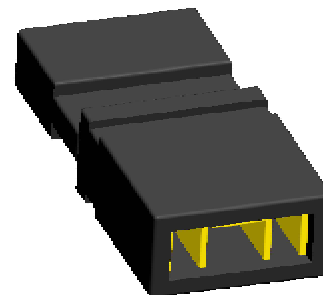
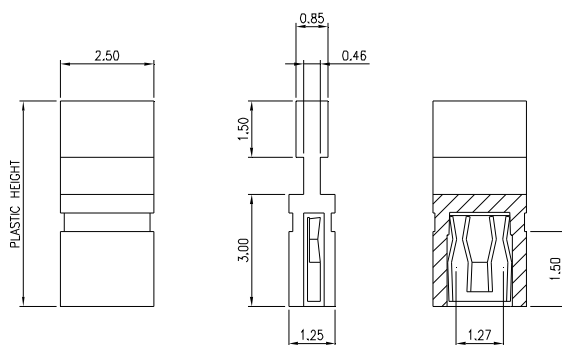
### SPECIFICATIONS

CONTACT RATING: 2 AMPS  
INSULATOR RESISTANCE: 1000 OHM MIN.  
DIELECTRIC WITHSTAND VOLTAGE: AC 650V  
OPERATING TEMPERATURE: -40° C--+105° C

### MATERIALS

CONTACT MATERIAL: PHOSPHOR BRONZE  
INSULATOR MATERIAL: NYLON 66 U94V-0  
FINISH: GOLD FLASH

## MINI JUMPER - 1.27X1.27mm - JMPd



### SPECIFICATIONS

CONTACT RATING: 2 AMPS  
INSULATOR RESISTANCE: 1000 OHM MIN.  
DIELECTRIC WITHSTAND VOLTAGE: AC 650V  
OPERATING TEMPERATURE: -40° C--+105° C

### MATERIALS

CONTACT MATERIAL: PHOSPHOR BRONZE  
INSULATOR MATERIAL: NYLON 66 U94V-0  
FINISH: GOLD FLASH

**NOTE** : SOME SIZES, STYLES AND OPTION ARE NON-STANDARD, NON-CANCELLABLE, NON-RETURNABLE